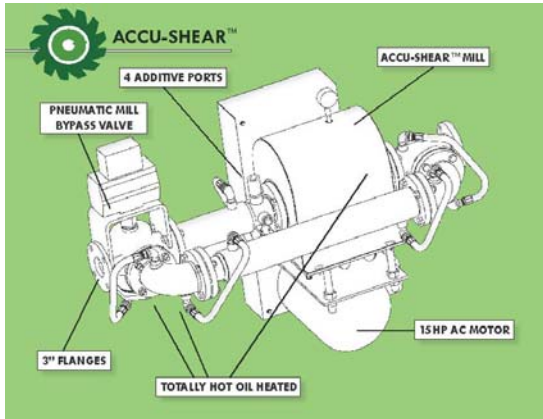


DO YOU KNOW WHAT IS HOT (AND WARM) IN THE ASPHALT INDUSTRY? Here are some of the leading products and solutions offered by Stansteel®

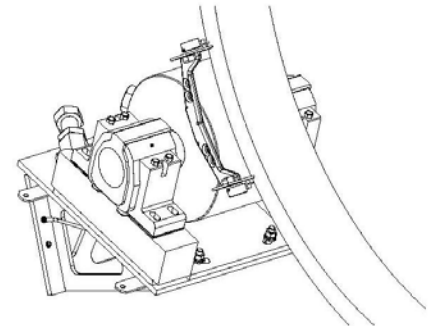


The Accu-Shear™ Multi-Function Warm Mix Upgrade Package

The unique Accu-Shear™ package is the only system on the market designed specifically for dynamic foaming of asphalt through a shear similar to what is used on emulsion plants. In addition to making regular warm-mix foam (with water), there are also provisions to meter in liquid additives or anti-strip since this is also required for many state specifications. The Accu-Shear™ is likely the #1 hit of the entire Hotmix/Warm Mix Industry.

The T-Trac™ Trunnion/Tire Alignment System

We have developed a unique breakthrough product to align tires and trunnions very quickly. This measurement guide works on virtually any size tire and trunnion arrangement and quickly gives a reference point as to how much off center the tire is on the trunnion with a very rapid set up and diagnosis. In this way, the bearings can take the minor (or major) adjustment to get the tires and trunnions parallel, tracking fast and avoid massive wear and expensive replacement of trunnions, tires and other related components.

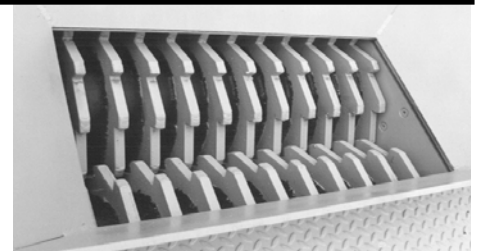


The New and Improved NiteOwl® Advantage Plant Alert System

The old standby NiteOwl that's been around many years has been improved and upgraded. It now has capabilities to not only monitor the hot oil circulating temperature, but many other items on the plant. **Special Note: This item has saved contractors hundred of thousands of dollars** over the years just by allowing them to call in to check and make sure their hot oil heating system is working as opposed to having cold asphalt for morning start up. Remember, it also calls you when the oil temperature has dropped below an adjustable setpoint.

Turbo RAP Gator® Recycling Breaker

The Rap Gator is the perfect device to shatter up chunks of millings or material that has stuck together from being in a crushed recycle pile. It helps reduce the size of material going into the screen or the plant and permits better heat transfer of RAP which is becoming an ever more critical part of the total mix process.



stansteel®

Call us Toll Free -
1-800-826-0223

12711 Townepark Way
Louisville, KY 40243
502-245-1977 • 502-244-4046 (Fax)
www.hotmixparts.com •
www.stansteel.com